

MELICONI remote control – CONTROL 2 Digital

BRAND RESEARCH REFERENCE TABLE

TASTO BUTTON	TV	TER / SAT
1	<i>SAMSUNG</i>	<i>ADB – I.CAN / SKY</i>
2	<i>LG</i>	<i>TELESYSTEM</i>
3	<i>SONY</i>	<i>SAMSUNG</i>
4	<i>PANASONIC</i>	<i>METRONIC</i>
5	<i>SHARP</i>	<i>DIGIQUEST</i>
6	<i>PHILIPS</i>	<i>STRONG</i>
7	<i>TELEFUNKEN</i>	<i>HUMAX</i>
8	<i>MIVAR / UNITED</i>	<i>ID SAT / ZODIAC</i>
9	<i>TOSHIBA</i>	<i>COBRA</i>
0	<i>ALTRE MARCHE – OTHER BRANDS</i>	



Meliconi SpA,
Via Minghetti 10,
40057 Cadriano di Granarolo Emilia, (BO) Italy
web: www.meliconi.com
email: telecomandi@meliconi.com



The symbol showing a wheeled bin with a cross through it which appears on the device indicates that at the end of its useful life the product must be collected separately from other waste. Therefore, at the end of the device's life, you must take it to appropriate centres for the differentiated collection of electrical and electronic waste, or return it to the retailer when purchasing a new device of equivalent type, on a one-for-one basis. Suitable differentiated collection to allow subsequent recycling of the decommissioned device, with environmentally-compatible treatment and disposal, help to prevent any negative effects on the environment and health and to promote the recycling of the materials of which the device is made.

Thank you for choosing a Meliconi remote control.

Keep this booklet for future reference

The CONTROL 2 Digital remote control is designed to command a TV and a DECODER (satellite or digital terrestrial). The remote control has a permanent memory, so it does not lose its settings even if there are no batteries in it.

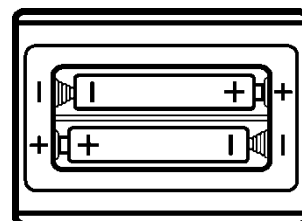
SAFETY WARNINGS

The remote control must not be exposed to excessive heat sources or fire. The product **is not a toy**. Keep out of reach of children or domestic animals.

INSERTING THE BATTERIES

The remote control requires 2 new 1.5V **AAA/LR03** alkaline batteries, not included in the package. Insert with the correct polarity as shown in figure.
DO NOT use **rechargeable** batteries.

BATTERIES TEST: Press and hold the **ON/OFF** [⏻] button and check that the indicator light remains on continuously until the button is released. If the light is off or blinks, the inserted batteries are low, therefore they need replacement.



Do not leave exhausted batteries inserted, as liquid may leak and damage the remote control

ACTIVATION OF REMOTE CONTROL

Before using the remote control, for each device you wish to control, it is **essential** to set a **specific code**, it matched. Identify the specific code and set it into the remote control using one of the following ways:



INTERNET



MOBILE (SMS)



BRAND RESEARCH



SETTING VIA INTERNET

www.meliconi.com/guide

Go to the website listed above, or use the **qr-code** on the side, to access online tool SEARCH ACTIVATION CODE.

Once you have found the specific code for your device, set it in the remote control as described in the **ENTERING THE CODE DIRECTLY** chapter.



ENTERING THE CODE DIRECTLY

(only to be performed if you know the **specific code** to be set)

- Press and hold on the MELICONI remote control for at least 6 seconds one of the selection buttons corresponding to the device you wish to control. **(example: [TV])**
- When the indicator light flashes, release and immediately enter the previously identified code. **(4 digits)**
- Three final flashes indicate that the operation has been completed successfully.



If the remote control does NOT carry out the three final flashes, the setting is NOT successful; repeat the procedure. If still unsuccessful, it means that the code is not included in the remote control, contact the customer service.



SETTING VIA MOBILE (SMS)

(the service is free, the only cost being that of sending the **SMS**, which depends on your service operator fees)

Send an **SMS** as follows:

2D, Type, Brand, Model

Fixed text which must always be included

Indicate the **type of device** to be controller, using **one** of the following abbreviations only:

TV
TER (*terrestrial decoder*)
SAT (*satellite decoder*)

Indicate the **brand** of the device to be controlled

Indicate the **model** of the device to be controlled, usually shown on a label on the back of the device (if the model is unknown, do not write anything after the brand)

EXAMPLE



ATTENTION - separate the information with a **comma** and be as **precise as possible** so that the information system can search for data and answer correctly.

Send the **SMS** to **0039 345 7518893** and wait for a reply by **SMS**.

Once you have received the **SMS** with the list of codes, set the first code (4 digits) in the remote control as described in the **ENTERING THE CODE DIRECTLY** chapter.

After entering the code stand in front of the device already turned on press **ON/OFF** [⏻] button on the **MELICONI** remote control. If the device does **NOT** switch off, set the next code in the **SMS** list on the remote control and try switching the device off again. Repeat the operation until the device switches off. When the device switches off, check that the other buttons are also operating correctly. If they do, the remote control is ready to use.

If certain buttons do not work correctly, you are probably using an incorrect code destined for a very similar device; at this point ignore the **SMS** list and consult the **SETTING VIA BRAND RESEARCH** chapter to find a more suitable code.

NOTE: If you don't receive an SMS on your mobile phone or if the message says **ERROR** or **NO CODE**, it means the system has not been able to process the data you have sent. **Do not send another SMS**, only use the **SETTING VIA BRAND RESEARCH** procedure or contact the customer service.

 **SETTING VIA BRAND RESEARCH**
(only to be performed if the **specific code** could not be found)

CAUTION: the search procedure could take several minutes.

A) Look in the table at the beginning of the booklet, referring to the column relating to the type, the brand of device which you wish to control, and note the corresponding number in the **BUTTON** column. If the brand is not present using zero "0". **(example: TV SONY = 3)**

2	LG
3	SONY
4	PANASONIC

B) Stand in front of the device to be controlled and make sure it is ON (not in stand-by). If necessary, switch it on using the original remote control (if this is still working) or the buttons present on the device itself. (on TVs they can be on the side or the top).

C) Press and hold on the MELICONI remote control for at least 6 seconds one of the selection buttons corresponding to the device you wish to control. **(example: [TV])**



D) When the indicator light flashes, release and immediately press the numeric button identified in the table for a moment. **EXAMPLE: 3**



E) Pointing the remote control towards the device to be controlled, press and hold on the MELICONI remote control the **ON/OFF** [⏻] button.

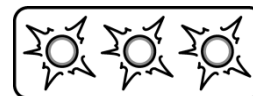


CAUTION: you may have to keep the button pressed for a few minutes before the device switches off.

F) When the device switches off, IMMEDIATELY RELEASE the button and press the [OK] button.



G) Three final flashes indicate that the operation has been completed successfully.



ADDITIONAL CHECK
Check that the MELICONI remote control operates your device also with the other main functions; if it does not, **REPEAT** the procedure from step **B** using the same brand number.
If, after various attempts, do not get a satisfactory result **REPEAT** the procedure from step B, using 0 (zero) as brand number.

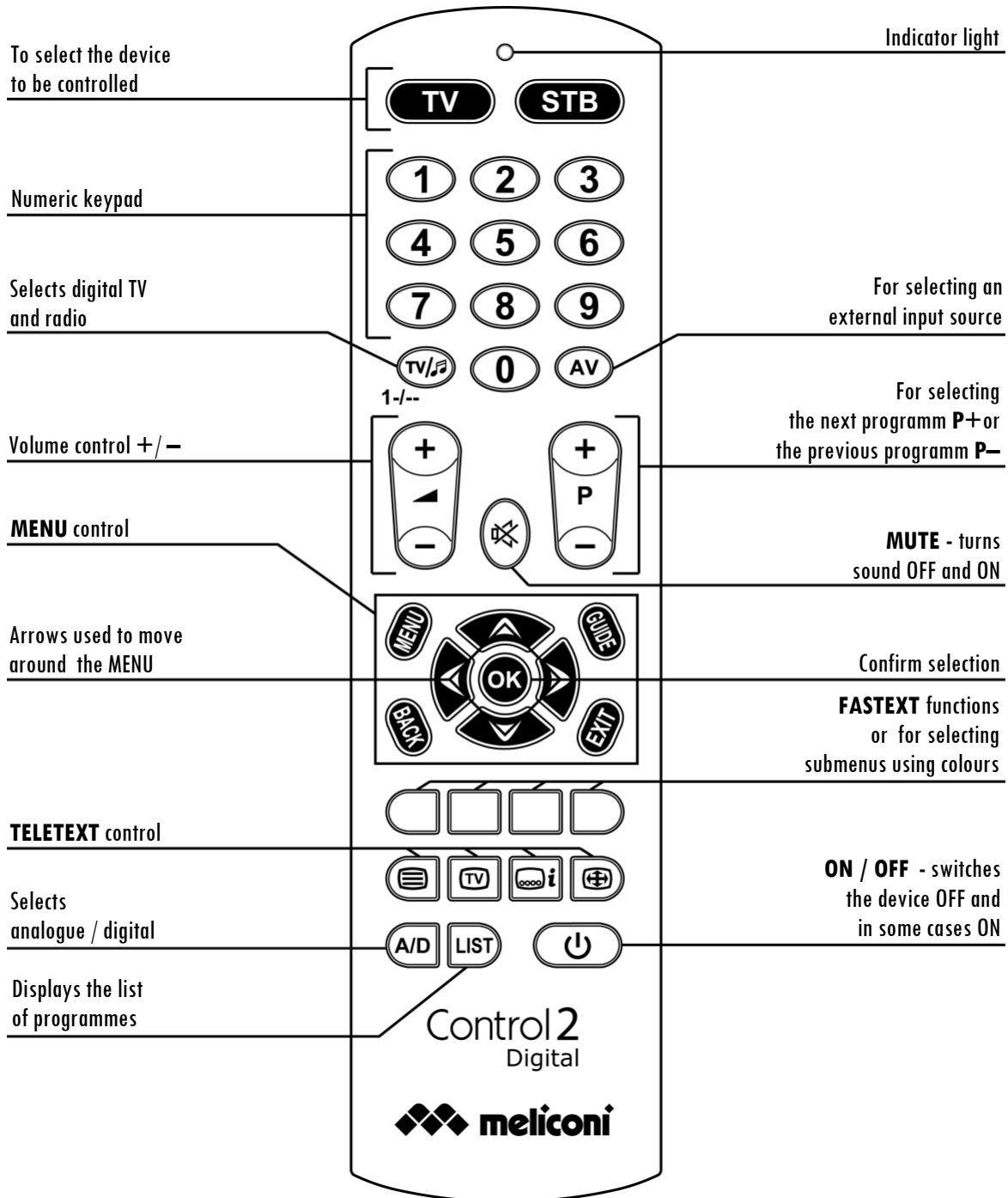
NOTE: During the search the indicator stops flashing and the remote control exits the search mode in the following cases:

- if for 30 seconds the indicated button is not pressed or if another button is pressed.
- if the list of codes to find is terminated. In this case consult the www.meliconi.com/guide website or contact the customer service.

BUTTONS AND FUNCTIONS USE

The functions of the buttons described below are available only if they are also present on the original device

ATTENTION: If the MELICONI remote control has been set to control several appliances (example TV and DECODER), in normal use before working with each of them, you must select the type of device which you wish to control, briefly pressing the corresponding button.



Sometimes some functions of the original remote control are not directly present on the MELICONI remote control keypad. To enable them proceed as described in chapter **ADDITIONAL FUNCTIONS**.

ADDITIONAL FUNCTIONS

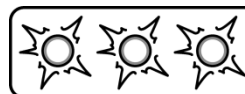
Use the online tool [FIND THE CODE FOR YOUR REMOTE](#) and continue until you see the list matching buttons between the original remote control and the MELICONI remote control. After identified the function you want to achieve, note the 3-digit number in **amber** to it combined and operate as follows:

- Simultaneously press on the MELICONI remote control the **[OK]** button and one of the selection buttons corresponding to the device you wish to control. **(example: [TV])**; release, the indicator light flashes.



- Point the remote control at the device to be controlled and dial the 3-digit number corresponding to the function you want to get. (with the pressure of the third digit the remote control already transmits such function)
- To match the function obtained to a MELICONI remote control button, within 5 seconds, press and hold the desired button.

- Wait three flashes indicate that storage; release the button. (the used button loses the original function that will be called by setting again the activation code)



DISPLAY CODE IN USE

If for remote control setup has been used the **BRAND RESEARCH** procedure, obtain and make a note of the code in use as follows:

- Press and hold on the MELICONI remote control for at least 6 seconds one of the selection buttons corresponding to the device you wish to extract the code. **(example: [TV])**.

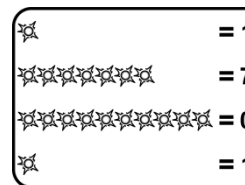


- When the indicator light starts flashing, release and immediately briefly press the **[TV / 🎵]** button.



- After a pause of several seconds, the indicator light produces four sets of flashes, spaced out, corresponding to the code to be obtained. Count the number of flashes. Each set of flashes corresponds to one digit in the code. Ten flashes correspond to the digit zero "0".

(example code obtained = 1701)



- Make a note of the code obtained on the label on the inside of the battery cover. You may need it in future.

TROUBLESHOOTING



! ATTENTION! !

Most problems are caused by using insufficiently charged batteries.

We recommend checking them and, if necessary, replace them as shown in the **INSERTING THE BATTERIES** chapter.

● **IF THE REMOTE CONTROL IS NEW AND YOU CAN NOT MAKE IT WORK**

Check that you have carried out all the settings procedures correctly. If necessary repeat them, following all the steps indicated carefully.

The code set in the remote control is incorrect for the device that you want to control. Consult the www.meliconi.com/guide website to find the correct code for your device. Or try entering all the codes for the same brand shown on the website or received via SMS one by one and check which one works.

● **IF THE REMOTE CONTROL STOPS WORKING**

Remove the batteries, press some buttons and insert NEW batteries. Make sure that the remote control is pointing at the device without any obstacles between them.

When pressed (even unintentionally) one of the selection buttons, you put the remote control to command that type of device.

Then select the device you wish to control by briefly pressing the corresponding button (**example: [TV]**) and verify if the remote control starts over working.

Also try entering the code used to set the remote control again.

● **IF SOME FUNCTIONS ARE NOT AVAILABLE ON THE REMOTE CONTROL**


Usually the MELICONI remote control makes available only the present functions on his keyboard, provided they are available also on the original remote control.

If some of the MAIN functions are not available, you are probably using an incorrect code. Find and set a more suitable code as described earlier.

Some secondary functions are not present on the MELICONI remote control keypad, to obtained them proceed as described in chapter **ADDITIONAL FUNCTIONS**.

● **HOW TO CHECK IF THE REMOTE CONTROL SENDS INFRARED SIGNALS**

The human eye is not able to detect infrared signals; use a camera (even that of the mobile phone).

Aim the infrared LED located in front of the remote control (not the red LED above) and press and hold on the remote control the **ON/OFF** [

If you see through the camera, the LED light with short white / light blue flashes means that the remote control works and emits infrared.

CUSTOMER SERVICE

Consult the www.meliconi.com/guide website for more detailed information on the product and for the on-line tools to activate the remote control quickly and easily.

IMPORTANT! When contacting technical support it is **INDISPENSABLE** that you communicate the **BRAND** and **MODEL** of the device that you want to control and which MELICONI remote control you are using.

To contact an operator to call number **+39 02 66012766** or send an e-mail to: telecomandi@meliconi.com

WARRANTY: 2 year

Always keep your sales receipt as proof of the validity of the product's warranty. The warranty is voided if the product is tampered with or used improperly.